



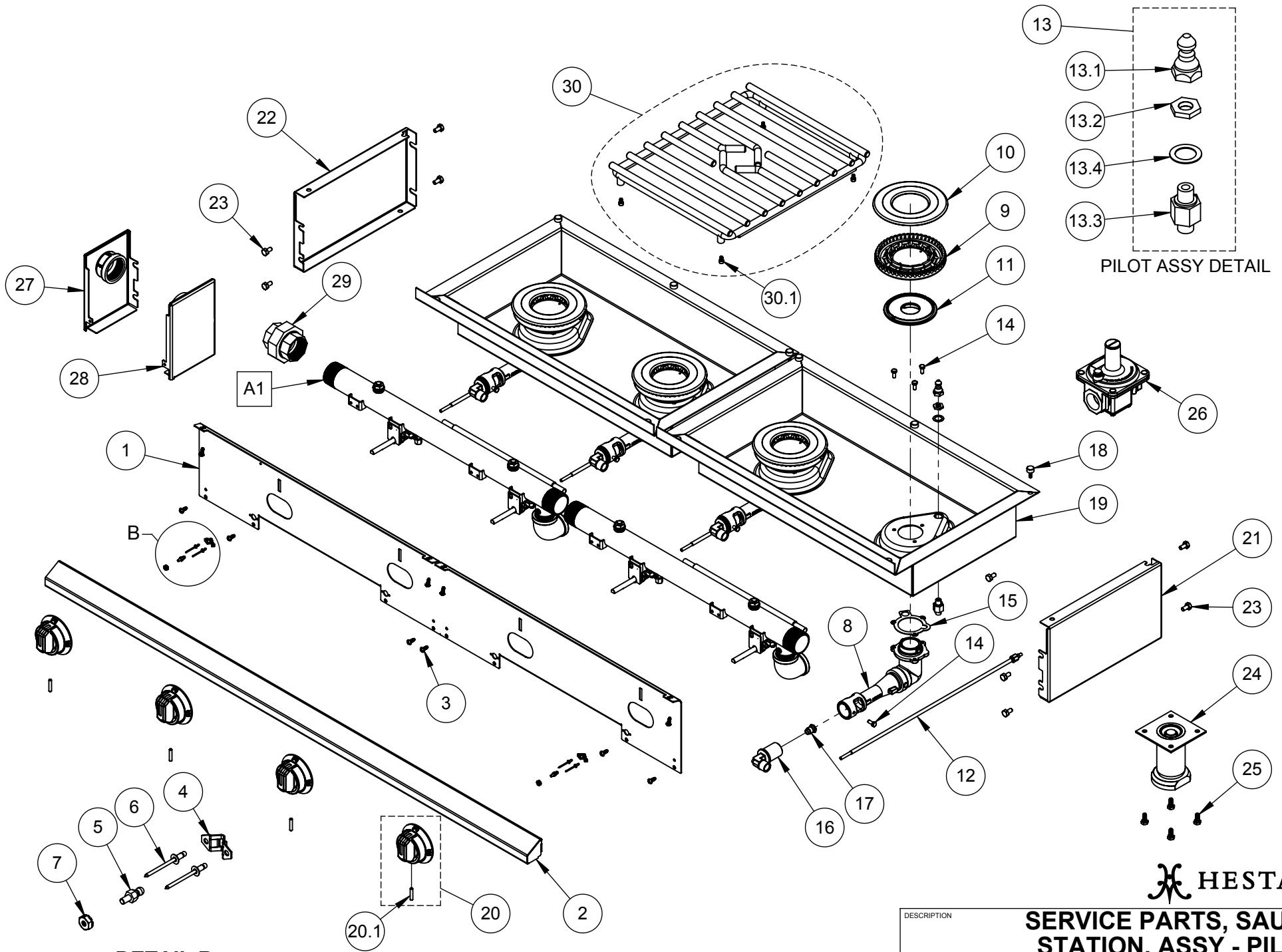
Commercial Service Parts

SAUTE STATION (HSSP)

Hestan Commercial Corporation
3375 E. La Palma Ave.
Anaheim, CA 92806
(888) 905-7463

RETAIN THIS FOR FUTURE REFERENCE

Revised: Jan 7, 2021
Rev. C



DETAIL B

PILOT ASSY DETAIL

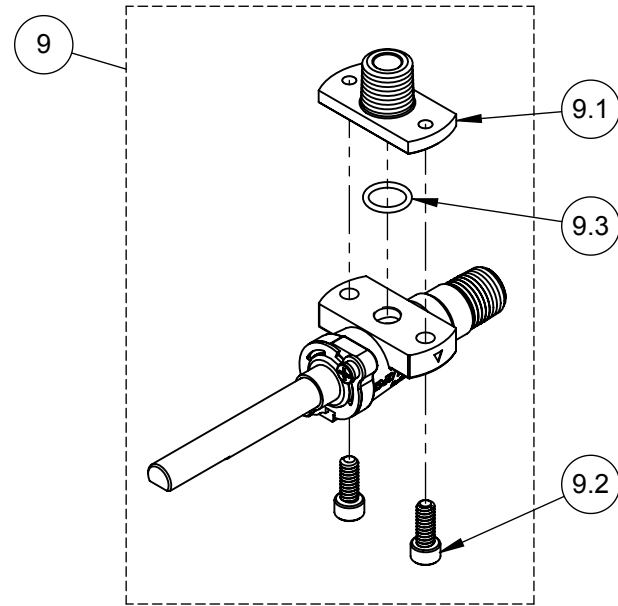
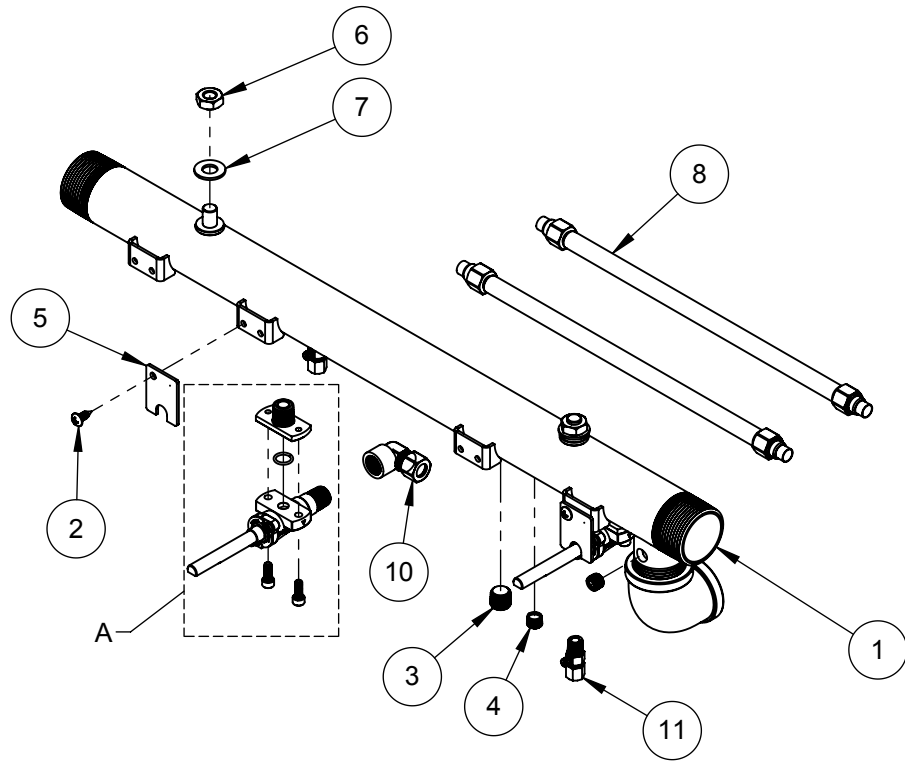


DESCRIPTION	SERVICE PARTS, SAUTE STATION, ASSY - PILOT
DRAWING NO	HSSPXXX-SERVICE

SAUTE STATION (PILOT) - SERVICE PARTS LIST

Item No.	Part No.	DESCRIPTION	HSSP242	HSSP363	HSSP484	HSSP605	HSSP726
			QTY	QTY	QTY	QTY	QTY
1	014175	PANEL, CONTROL, SAUTE, PILOT, 24-2 - INDICATOR	1	-	-	-	-
	012236	PANEL, CONTROL, SAUTE, PILOT, 36-3 - INDICATOR	-	1	-	-	-
	014216	PANEL, CONTROL, SAUTE, PILOT, 48-4 - INDICATOR	-	-	1	-	-
	014248	PANEL, CONTROL, SAUTE, PILOT, 60-5 - INDICATOR	-	-	-	1	-
	014227	PANEL, CONTROL, SAUTE, PILOT, 72-6 - INDICATOR	-	-	-	-	1
2	001582	CHIN, CONTROL PANEL, W/O HANDLE, 24, WA	1	-	-	-	-
	001194	CHIN, CONTROL PANEL, W/O HANDLE, 36, WA	-	1	-	-	-
	005086	CHIN, CONTROL PANEL, W/O HANDLE, 48", WA	-	-	1	-	-
	014244	CHIN, CONTROL PANEL, W/O HANDLE, 60" (24-36)	-	-	-	1	-
	006856	CHIN, CONTROL PANEL, W/O HANDLE, 72", WA	-	-	-	-	1
3	001816	SERVICE, SMS, #10-24 X 12, PH, PAN, TYPE F, SS, PKG 10	1	1	1	2	2
4	012752	SERVICE, RECEPTACLE, BALL STUD, 18LB PULL, C1663-028-3B, PKG 4	1	1	1	1	1
5	012687	SERVICE, BALL STUD, MALE, 6-32UNC, .052-.078 PNL THK, PKG 4	1	1	1	1	1
6	012751	SERVICE, POP RIVET, CSINK, 1/8 DIA X .275L, SS, PKG 8	1	1	1	1	1
7	012688	SERVICE, NUT, KEPS, 6-32, SS, PKG 4	1	1	1	1	1
8	010662	ELBOW, SINGLE FLOW, FRONT, ASSY	2	3	4	5	6
9	002055	HEAD, BURNER, SEALED BURNER, SF	2	3	4	5	6
10	002058	BURNER RING, SEALED BURNER, SF	2	3	4	5	6
11	002057	BURNER BASE, SEALED BURNER, SF	2	3	4	5	6
12	005688	HOSE, FLEX, 3/16 OD, 18", F-F, NUT/FERRULE	2	3	4	5	6
13	009106	PILOT, SEALED BURNER, ASSY	2	3	4	5	6
13.1	008771	PILOT, SEALED BURNER	2	3	4	5	6
13.2	014391	SERVICE, NUT, LOCK, PILOT, SEALED BURNER, PKG 3	1	1	2	2	2
13.3	014396	SERVICE, ADAPTER, PILOT, SEALED BURNER, KIT	2	3	4	5	6
13.4	014392	SERVICE, WASHER, BRASS, .500 ID X .750 OD X .025 THK, PKG 3	1	1	2	2	2
14	002041	SERVICE, SCREW, MOUNTING, M5X12, SEALED BURNER, PKG 4	2	3	4	5	6
15	002056	GASKET, MAIN, SEALED BURNER, SF	2	3	4	5	6
16	002048	JET HOLDER, MAIN, SEALED BURNER, SF/DF	2	3	4	5	6

Item No.	Part No.	DESCRIPTION	HSSP242	HSSP363	HSSP484	HSSP605	HSSP726
			QTY	QTY	QTY	QTY	QTY
17	006640	ORIFICE, #44, MAIN, SEALED BURNER, DF-NG1	2	3	4	5	6
	010343	ORIFICE, #55, MAIN, SEALED BURNER, DF-NG1	2	3	4	5	6
18	005785	SCREW COVER, SEALED BURNER, WA	5	5	10	10	10
19	011952	BOWL, SEALED BURNER, HALF, FRONT, SF, 242, WA	1	-	2	-	-
	007475	BOWL, SEALED BURNER, HALF, FRONT, SF, 363, WA	-	1	-	1	2
20	000130	KNOB ASSY, ON-OFF, 100%	2	3	4	5	6
20.1	012749	SERVICE, SETCREW, #10-24 X 1.000, CUP PT., SS, PKG 6	1	1	1	1	2
21	012218	PANEL, SIDE, RH, RANGETOP, SAUTE	1	1	2	2	2
22	012219	PANEL, SIDE, LH, RANGETOP, SAUTE	1	1	2	2	2
23	013303	SERVICE, HB, 1/4-20 X .50, ZN, PKG 8	1	1	1	1	1
24	000470	ADJUSTABLE LEG, ASSY, 4"	4	4	4	4	4
25	014191	SERVICE, HB, 1/4-20 X .625, SS, PKG 4	4	4	4	4	4
26	004163	REGULATOR, STRAIGHT-THRU, 1"NPT, NG	1	1	1	1	1
	004162	REGULATOR, STRAIGHT-THRU, 1"NPT, LP	1	1	1	1	1
	004165	REGULATOR, STRAIGHT-THRU, 1-1/4"NPT, NG	1	1	1	1	1
	004164	REGULATOR, STRAIGHT-THRU, 1-1/4"NPT, LP	1	1	1	1	1
27	AHCCL	CAP, MANIFOLD, LEFT, ASSY.	1	1	1	1	1
28	AHCCR	CAP, MANIFOLD, RIGHT, ASSY.	1	1	1	1	1
29	000254	UNION, 1.25", NPT, SET	1	1	1	1	1
30	014676	SERVICE, GRATE, SEALED BURNER, COMBO, HALF, 12", KIT	2	3	4	5	6
30.1	014398	SERVICE, SHCS, #10-24 X .313, SS, PKG 4	2	3	4	5	6



DETAIL A

 HESTAN

**SERVICE, MANIFOLD, GAS
ASSY, SAUTE**

DESCRIPTION

DRAWING NO

A1

A1 - GAS MANIFOLD ASSEMBLY - SAUTE STATION (PILOT)

Item No.	Part No.	DESCRIPTION	HSSP242	HSSP363	HSSP484	HSSP605	HSSP726
			QTY	QTY	QTY	QTY	QTY
1	011172	MANIFOLD, SP, 24-4, WA	1	-	2	1	-
	009946	MANIFOLD, SP, ST, SU, 36-6, WA	-	1	-	1	2
2	012689	SERVICE, SMS, #10 X .5, PH, PAN, ZN, PKG 3	1	1	2	2	2
3	001940	PLUG, HEX SOCKET, 1/4" NPT	2	3	4	5	6
4	000360	PLUG, HEX SOCKET, 1/8" NPT	2	3	4	5	6
5	001413	BRACKET, VALVE ANTI-ROTATION, STD.	2	3	4	5	6
6	012681	SERVICE, NUT, 3/8-16 X .25 HT, ZN, PKG 4	1	1	1	1	1
7	012679	SERVICE, WSH, FLAT, 3/8 SAE, ZN, PKG 4	1	1	1	1	1
8	005682	HOSE, FLEX, 3/8 OD, 12", F-F, NUT/FERRULE	2	3	4	5	6
9	015662	KIT, VALVE, ON-OFF, FLANGE-MOUNT, A23-F	2	3	4	5	6
9.1	004643	FLANGED NIPPLE, 1/4 NPT	2	3	4	5	6
9.2	012750	SERVICE, SHCS, 10-24 X .500, SS, PKG 6	1	1	2	2	2
9.3	014103	SERVICE, O-RING, FLANGED NIPPLE, PKG 6	1	1	1	1	1
10	002321	ELBOW, ADAPTER, 1/4 NPT FEMALE X 3/8 CC	2	3	4	5	6
11	000859	VALVE, PILOT, 1/8NPT X 3/16 COMP., STRAIGHT	2	3	4	5	6