

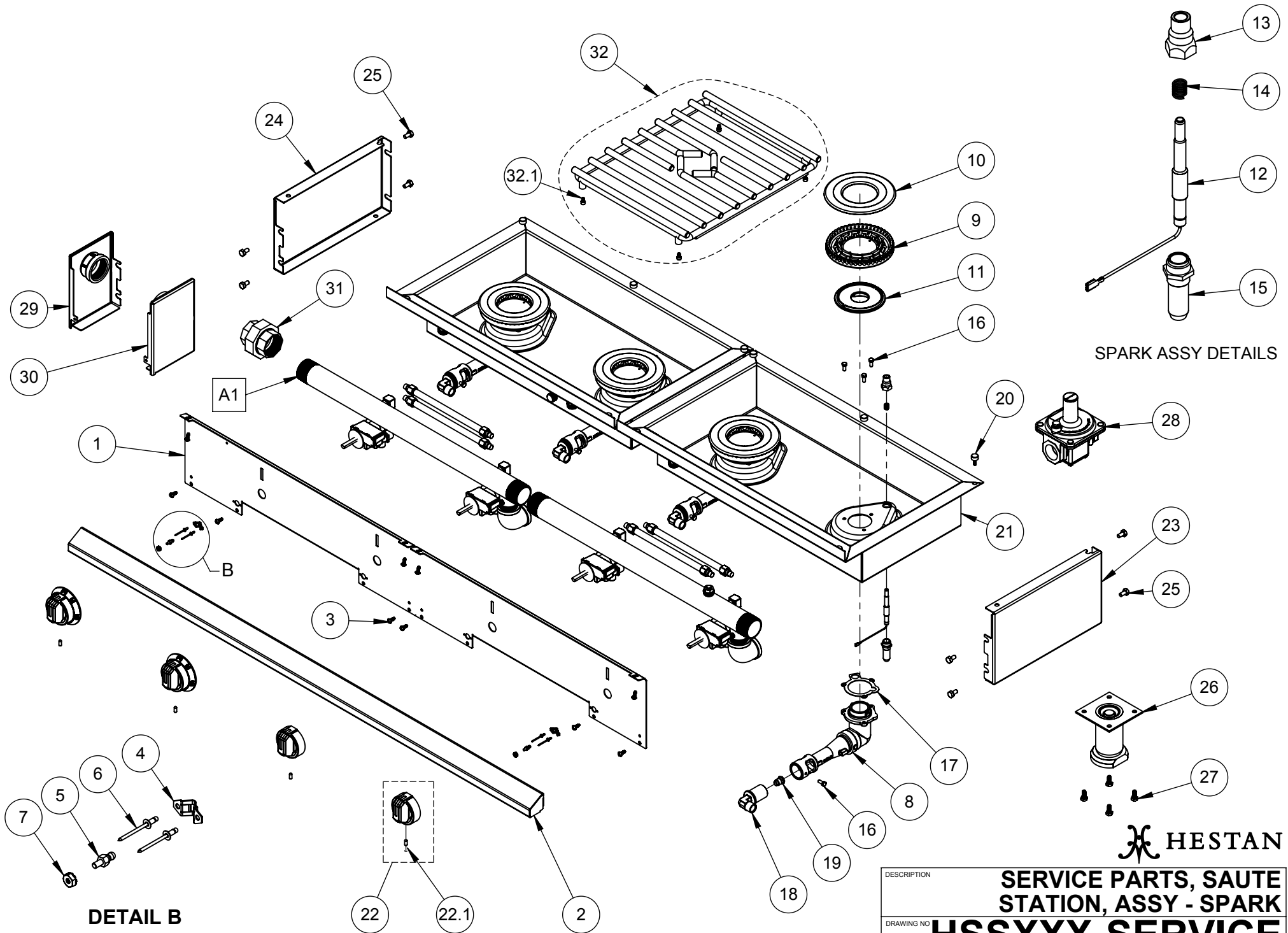
*Commercial Service Parts*

**SAUTE STATION (HSS)**

Hestan Commercial Corporation  
3375 E. La Palma Ave.  
Anaheim, CA 92806  
(888) 905-7463

RETAIN THIS FOR FUTURE REFERENCE

Revised: May 15, 2020



DETAIL B

SPARK ASSY DETAILS

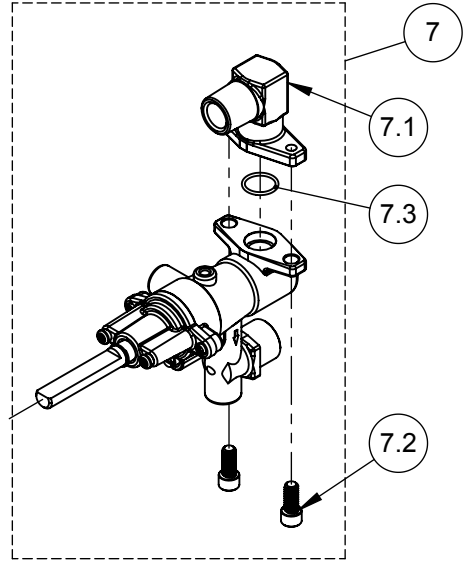
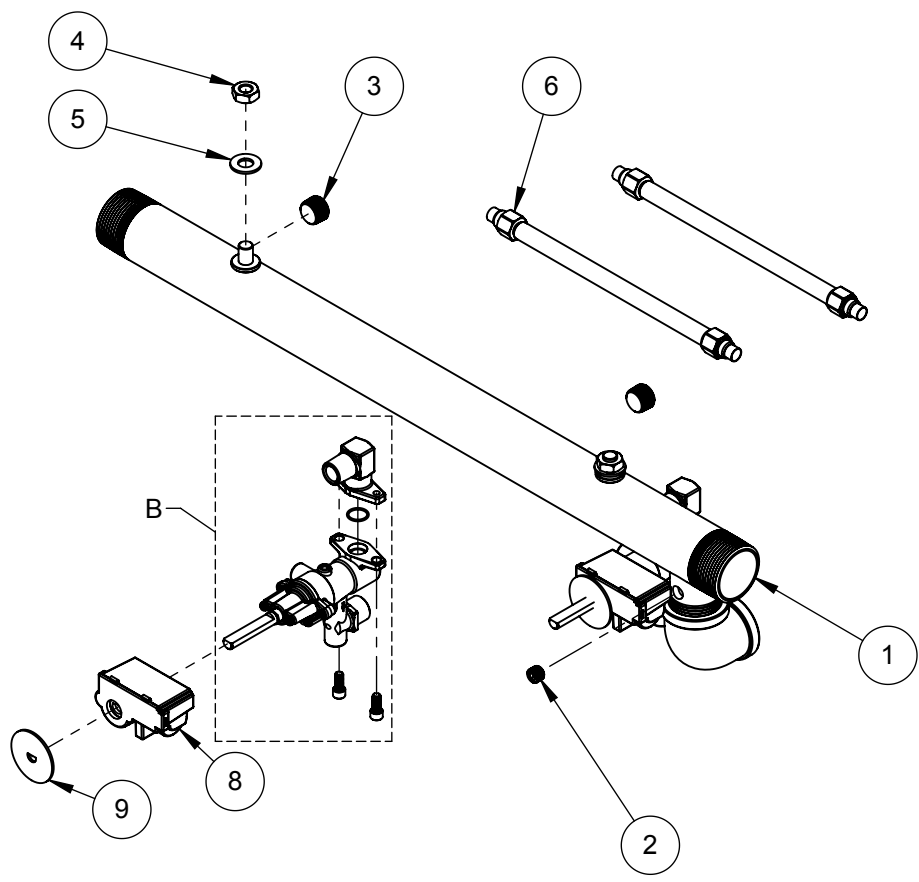


|             |   |
|-------------|---|
| DESCRIPTION | <b>SERVICE PARTS, SAUTE<br/>STATION, ASSY - SPARK</b> |
| DRAWING NO  | <b>HSSXXX-SERVICE</b>                                 |

# SAUTE STATION (SPARK) - SERVICE PARTS LIST

| Item No. | Part No. | DESCRIPTION  | HSS242 | HSS363 | HSS484 | HSS605 | HSS726 |
|----------|----------|--|--------|--------|--------|--------|--------|
|          |          |  | QTY    | QTY    | QTY    | QTY    | QTY    |
| 1        | 014175   | PANEL, CONTROL, SAUTE, PILOT, 24-2 - INDICATOR                 | 1      | -      | -      | -      | -      |
|          | 012236   | PANEL, CONTROL, SAUTE, PILOT, 36-3 - INDICATOR                 | -      | 1      | -      | -      | -      |
|          | 014216   | PANEL, CONTROL, SAUTE, PILOT, 48-4 - INDICATOR                 | -      | -      | 1      | -      | -      |
|          | 014248   | PANEL, CONTROL, SAUTE, PILOT, 60-5 - INDICATOR                 | -      | -      | -      | 1      | -      |
|          | 014227   | PANEL, CONTROL, SAUTE, PILOT, 72-6 - INDICATOR                 | -      | -      | -      | -      | 1      |
| 2        | 001582   | CHIN, CONTROL PANEL, W/O HANDLE, 24, WA                        | 1      | -      | -      | -      | -      |
|          | 001194   | CHIN, CONTROL PANEL, W/O HANDLE, 36, WA                        | -      | 1      | -      | -      | -      |
|          | 005086   | CHIN, CONTROL PANEL, W/O HANDLE, 48", WA                       | -      | -      | 1      | -      | -      |
|          | 014244   | CHIN, CONTROL PANEL, W/O HANDLE, 60" (24-36)                   | -      | -      | -      | 1      | -      |
|          | 006856   | CHIN, CONTROL PANEL, W/O HANDLE, 72", WA                       | -      | -      | -      | -      | 1      |
| 3        | 001816   | SERVICE, SMS, #10-24 X 12, PH, PAN, TYPE F, SS, PKG 10         | 1      | 1      | 1      | 2      | 2      |
| 4        | 012752   | SERVICE, RECEPTACLE, BALL STUD, 18LB PULL, C1663-028-3B, PKG 4 | 1      | 1      | 1      | 1      | 1      |
| 5        | 012687   | SERVICE, BALL STUD, MALE, 6-32UNC, .052-.078 PNL THK, PKG 4    | 1      | 1      | 1      | 1      | 1      |
| 6        | 012751   | SERVICE, POP RIVET, CSINK, 1/8 DIA X .275L, SS, PKG 8          | 1      | 1      | 1      | 1      | 1      |
| 7        | 012688   | SERVICE, NUT, KEPS, 6-32, SS, PKG 4                            | 1      | 1      | 1      | 1      | 1      |
| 8        | 010662   | ELBOW, SINGLE FLOW, FRONT, ASSY                                | 2      | 3      | 4      | 5      | 6      |
| 9        | 002055   | HEAD, BURNER, SEALED BURNER, SF                                | 2      | 3      | 4      | 5      | 6      |
| 10       | 002058   | BURNER RING, SEALED BURNER, SF                                 | 2      | 3      | 4      | 5      | 6      |
| 11       | 002057   | BURNER BASE, SEALED BURNER, SF                                 | 2      | 3      | 4      | 5      | 6      |
| 12       | 005013   | IGNITER ASSY, SEALED BURNER, SF                                | 2      | 3      | 4      | 5      | 6      |
| 13       | 002038   | NUT, IGNITER, SEALED BURNER, SF                                | 2      | 3      | 4      | 5      | 6      |
| 14       | 014673   | SERVICE, SPRING, IGNITER, SEALED BURNER, DF, PKG 4             | 1      | 1      | 1      | 2      | 2      |
| 15       | 002037   | SHAFT, IGNITER, SEALED BURNER, SF                              | 2      | 3      | 4      | 5      | 6      |
| 16       | 002041   | SERVICE, SCREW, MOUNTING, M5X12, SEALED BURNER, PKG 4          | 2      | 3      | 4      | 5      | 6      |
| 17       | 002056   | GASKET, MAIN, SEALED BURNER, SF                                | 2      | 3      | 4      | 5      | 6      |
| 18       | 002048   | JET HOLDER, MAIN, SEALED BURNER, SF/DF                         | 2      | 3      | 4      | 5      | 6      |
| 19       | 006640   | ORIFICE, #44, MAIN, SEALED BURNER, DF-NG1 (FOR NG)             | 2      | 3      | 4      | 5      | 6      |
|          | 010343   | ORIFICE, #55, MAIN, SEALED BURNER, DF-NG1 (FOR LP)             | 2      | 3      | 4      | 5      | 6      |

| Item No. | Part No. | DESCRIPTION  | HSS242 | HSS363 | HSS484 | HSS605 | HSS726 |
|----------|----------|--|--------|--------|--------|--------|--------|
|          |          |  | QTY    | QTY    | QTY    | QTY    | QTY    |
| 20       | 005785   | SCREW COVER, SEALED BURNER, WA                       | 5      | 5      | 10     | 10     | 10     |
| 21       | 011952   | BOWL, SEALED BURNER, HALF, FRONT, SF, 242, WA        | 1      | -      | 2      | -      | -      |
|          | 007475   | BOWL, SEALED BURNER, HALF, FRONT, SF, 363, WA        | -      | 1      | -      | 1      | 2      |
| 22       | 000130   | KNOB ASSY, ON-OFF, 100%                              | 2      | 3      | 4      | 5      | 6      |
| 22.1     | 012749   | SERVICE, SETCREW, #10-24 X 1.000, CUP PT., SS, PKG 6 | 1      | 1      | 1      | 1      | 2      |
| 23       | 012218   | PANEL, SIDE, RH, RANGETOP, SAUTE                     | 1      | 1      | 1      | 1      | 1      |
| 24       | 012219   | PANEL, SIDE, LH, RANGETOP, SAUTE                     | 1      | 1      | 1      | 1      | 1      |
| 25       | 013303   | SERVICE, HB, 1/4-20 X .50, ZN, PKG 8                 | 1      | 1      | 1      | 1      | 1      |
| 26       | 000470   | ADJUSTABLE LEG, ASSY, 4"                             | 4      | 4      | 4      | 4      | 4      |
| 27       | 014191   | SERVICE, HB, 1/4-20 X .625, SS, PKG 4                | 4      | 4      | 4      | 4      | 4      |
| 28       | 004163   | REGULATOR, STRAIGHT-THRU, 1"NPT, NG                  | 1      | 1      | 1      | 1      | 1      |
|          | 004162   | REGULATOR, STRAIGHT-THRU, 1"NPT, LP                  | 1      | 1      | 1      | 1      | 1      |
|          | 004165   | REGULATOR, STRAIGHT-THRU, 1-1/4"NPT, NG              | 1      | 1      | 1      | 1      | 1      |
|          | 004164   | REGULATOR, STRAIGHT-THRU, 1-1/4"NPT, LP              | 1      | 1      | 1      | 1      | 1      |
| 29       | AHCCL    | CAP, MANIFOLD, LEFT, ASSY.                           | 1      | 1      | 1      | 1      | 1      |
| 30       | AHCCR    | CAP, MANIFOLD, RIGHT, ASSY.                          | 1      | 1      | 1      | 1      | 1      |
| 31       | 000254   | UNION, 1.25", NPT, SET                               | 1      | 1      | 1      | 1      | 1      |
| 32       | 014676   | SERVICE, GRATE, SEALED BURNER, COMBO, HALF, 12", KIT | 2      | 2      | 2      | 2      | 2      |
| 32.1     | 014398   | SERVICE, SHCS, #10-24 X .313, SS, PKG 4              | 2      | 2      | 2      | 2      | 2      |
| 33*      | 014202   | HARNESS, WIRE, SEALED BURNER, SAUTE, 244 (NOT SHOWN) | 1      | -      | -      | -      | -      |
|          | 014134   | HARNESS, WIRE, SEALED BURNER, SAUTE, 363 (NOT SHOWN) | -      | 1      | -      | -      | -      |
|          | 014222   | HARNESS, WIRE, SEALED BURNER, SAUTE, 484 (NOT SHOWN) | -      | -      | 1      | -      | -      |
|          | 014237   | HARNESS, WIRE, SEALED BURNER, SAUTE, 605 (NOT SHOWN) | -      | -      | -      | 1      | -      |
|          | 014230   | HARNESS, WIRE, SEALED BURNER, SAUTE, 726 (NOT SHOWN) | -      | -      | -      | -      | 1      |



DETAIL B

 HESTAN

**SERVICE, MANIFOLD, GAS  
ASSY, SAUTE**

DESCRIPTION

DRAWING NO

**A1**

# A1 - GAS MANIFOLD ASSEMBLY - SAUTE STATION (SPARK)

| Item No. | Part No. | DESCRIPTION   | HSS242 | HSS363 | HSS484 | HSS605 | HSS726 |
|----------|----------|---|--------|--------|--------|--------|--------|
|          |          |   | QTY    | QTY    | QTY    | QTY    | QTY    |
| 1        | 004650   | MANIFOLD, SEALED BURNER, 24, WA                                   | 1      | -      | 2      | 1      | -      |
|          | 000257   | MANIFOLD, SEALED BURNER, 366, WA                                  | -      | 1      | -      | 1      | 2      |
| 2        | 000360   | PLUG, HEX SOCKET, 1/8" NPT  | 1      | 1      | 2      | 2      | 2      |
| 3        | 014123   | PLUG, HEX SOCKET, 3/8" NPT  | 2      | 3      | 4      | 5      | 6      |
| 4        | 012681   | SERVICE, NUT, 3/8-16 X .25 HT, ZN, PKG 4                          | 1      | 1      | 1      | 1      | 1      |
| 5        | 012679   | SERVICE, WSH, FLAT, 3/8 SAE, ZN, PKG 4                            | 1      | 1      | 1      | 1      | 1      |
| 6        | 005682   | HOSE, FLEX, 3/8 OD, 12", F-F, NUT/FERRULE                         | 2      | 3      | 4      | 5      | 6      |
| 7        | 004922   | VAVLE, SINGLE FLOW, SEALED BURNER, ASSY                           | 2      | 3      | 4      | 5      | 6      |
| 7.1      | 002027   | ELBOW, FLANGE, VALVE, SEALED BURNER, ASSY                         | 2      | 3      | 4      | 5      | 6      |
| 7.2      | 014650   | SERVICE, SHCS, 12-24 X .5, SS, PKG 6                              | 1      | 1      | 2      | 2      | 2      |
| 7.3      | 014646   | SERVICE, O-RING, SILICONE, 11.5MM ID X 1.5MM THK, PKG 6           | 1      | 1      | 1      | 1      | 1      |
| 8        | 000530   | MODULE, EGO RE-IGNITER, SINGLE POINT, IRIS COOKTOP, 120V/60Hz/5mA | 2      | 3      | 4      | 5      | 6      |
| 9        | 004029   | SHIELD, SWITCH/MODULE   | 2      | 3      | 4      | 5      | 6      |