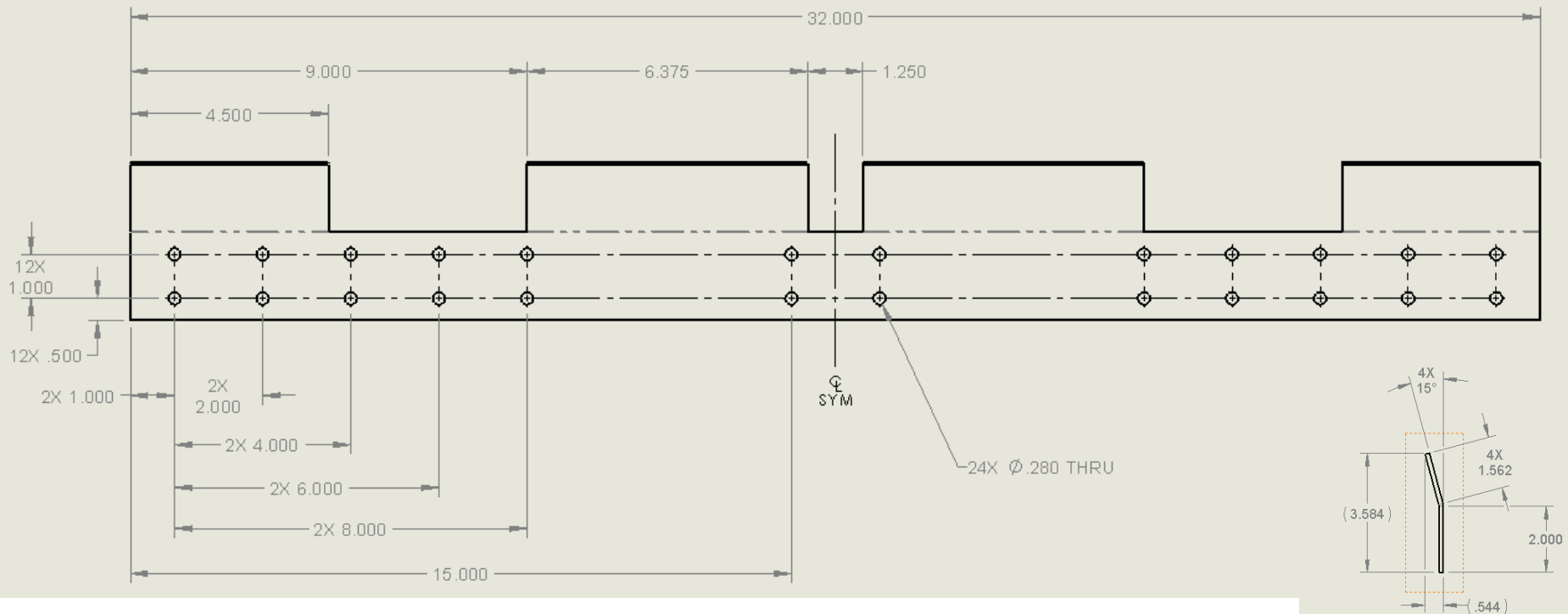


SALAMANDER WALL BRACKET

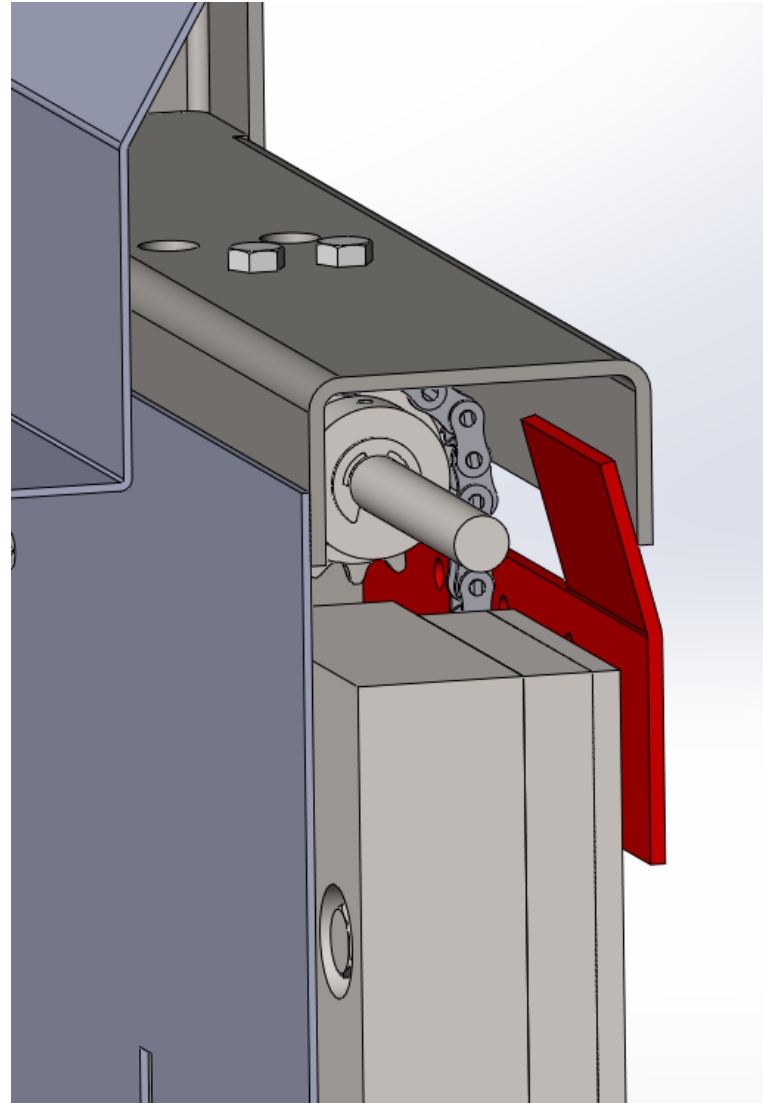
BRACKET MOUNTING HOLE POSITIONS

- MOUNT BRACKET TO WALL WITH TOP FLANGES BENT AWAY FROM WALL
- USE MINIMUM OF (8) ¼"-20 SIZE BOLTS WHEN ATTACHING BRACKET TO WALL
- BRACKET SHOULD BE ALIGNED HORIZONTALY LEVEL AND MOUNTED TO A WALL THAT WILL ADEQUATELY SUPPORT THE WEIGHT OF THE APPLIANCE

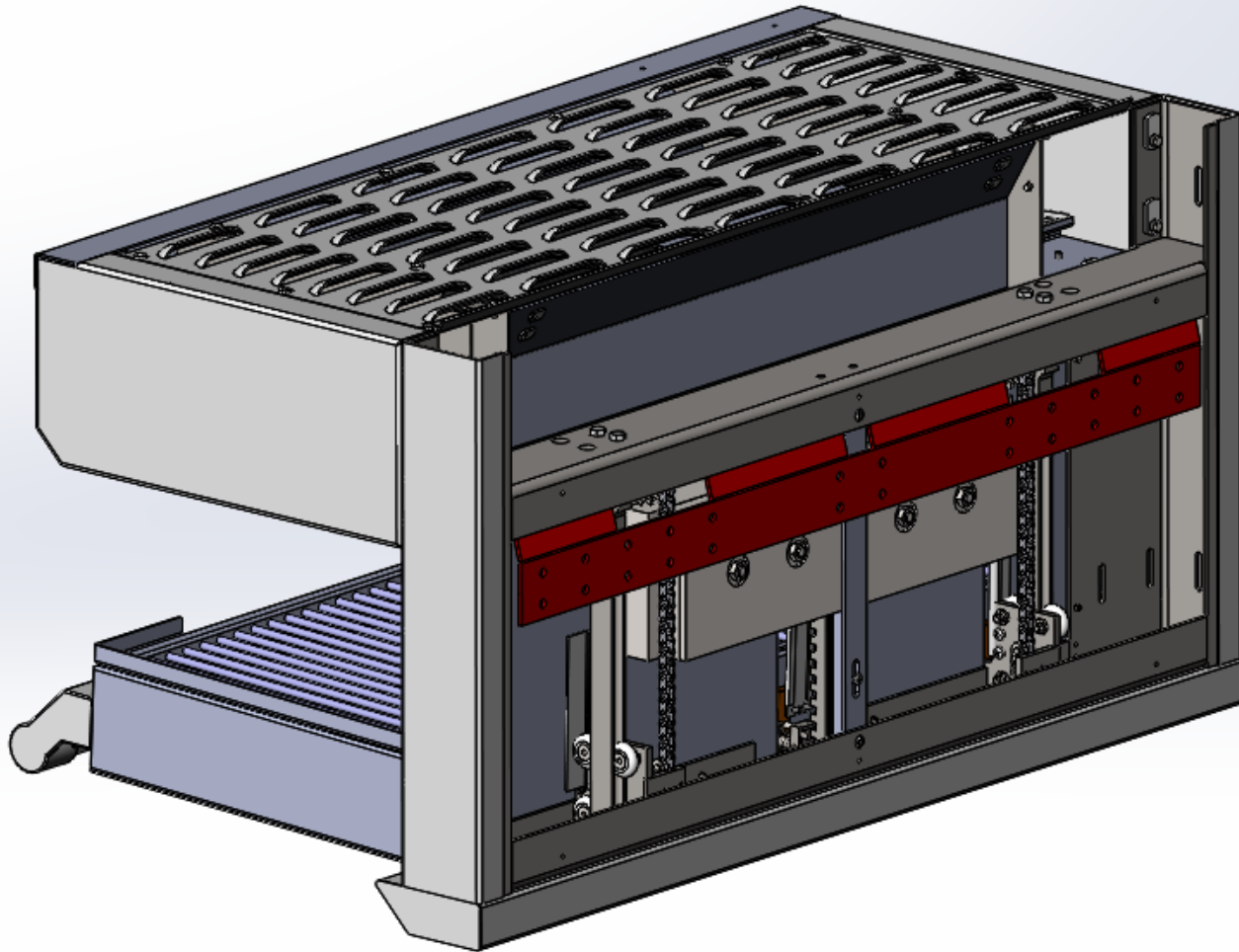


SECTION VIEW

- BROILER
FRAME HANGS
OVER TOP
FLANGES OF
WALL MOUNT
BRACKET



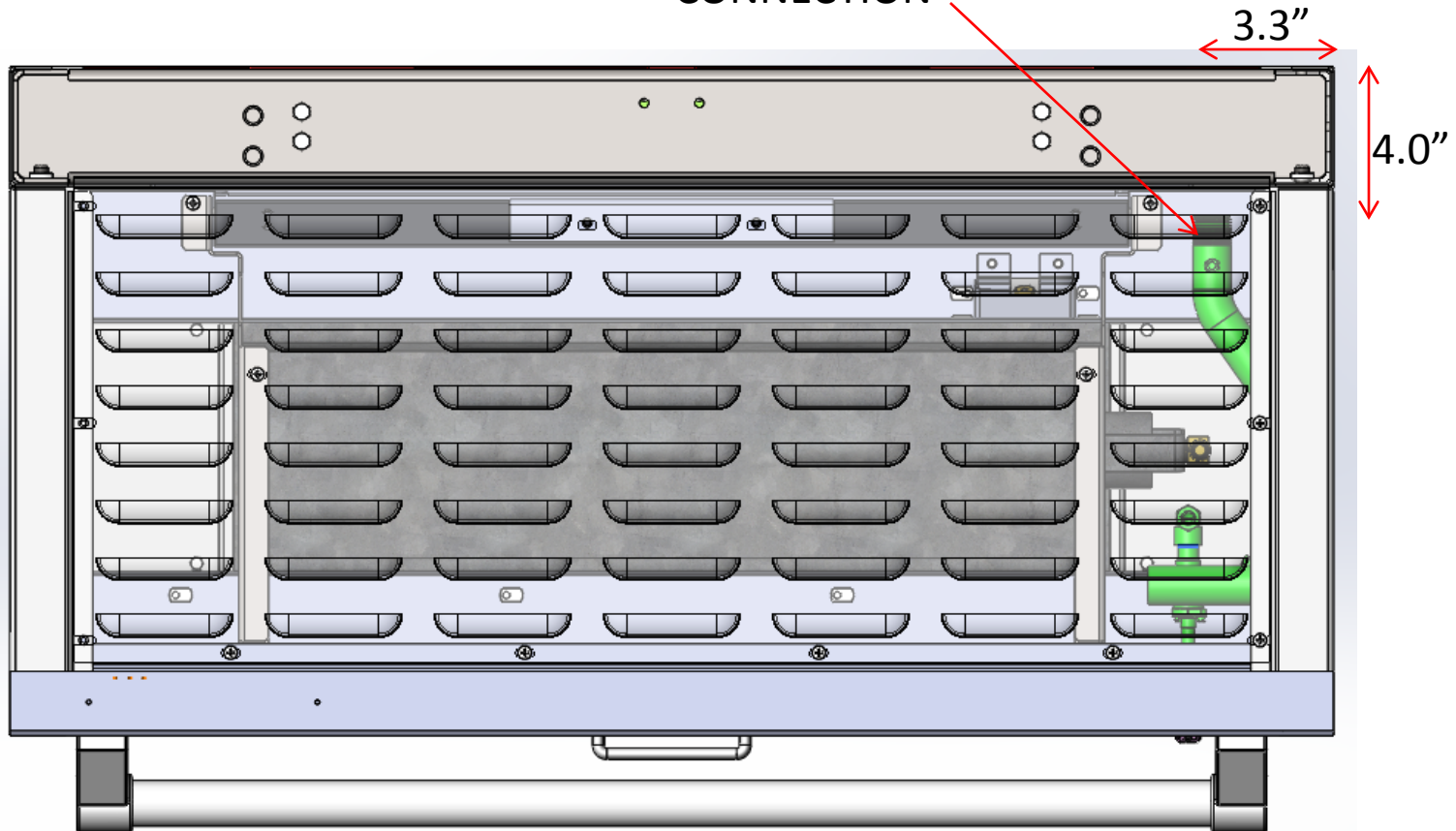
REAR VIEW OF BRACKET POSITION



GAS CONNECTION

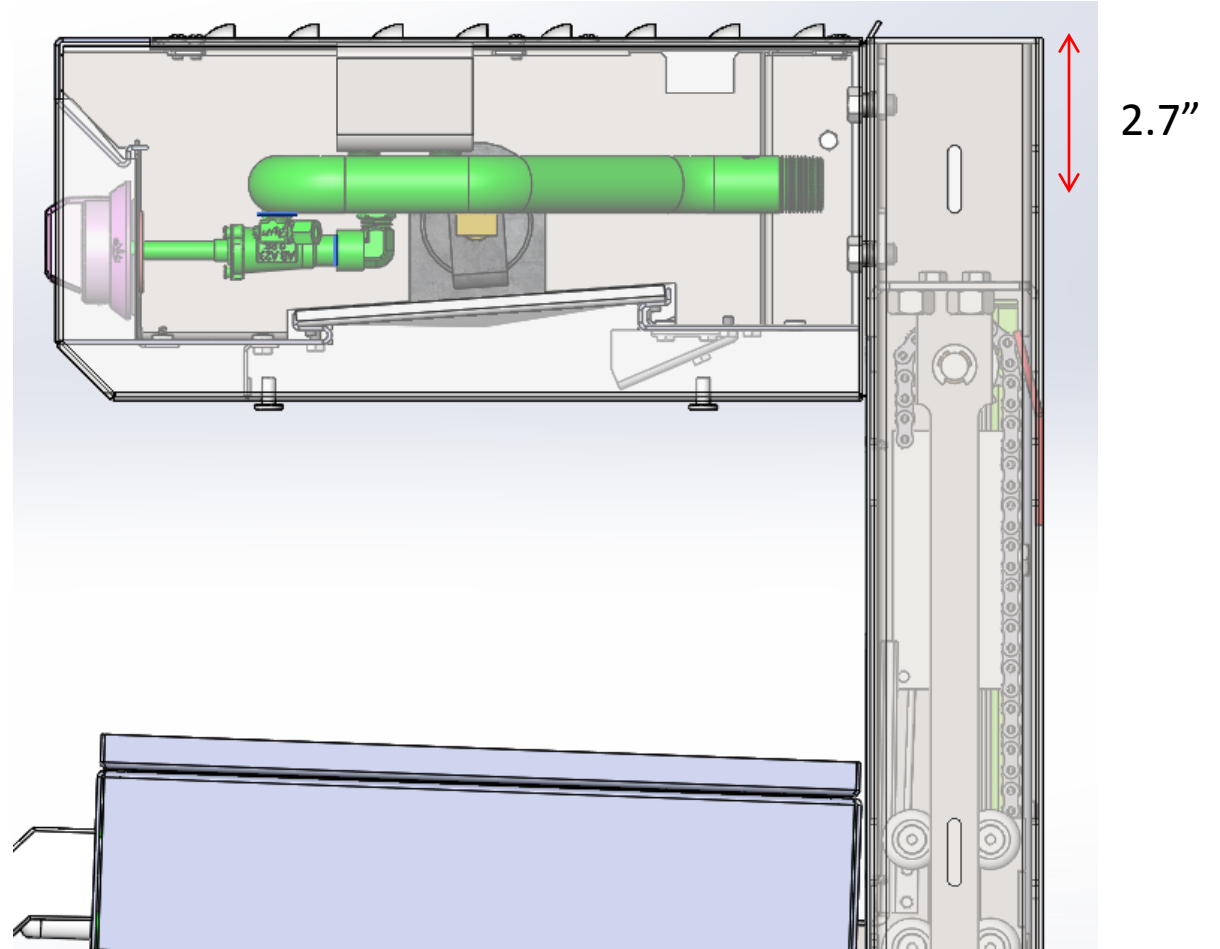
- TOP VIEW

3/4" NPT MALE
CONNECTION



GAS CONNECTION

- SIDE VIEW



GAS CONNECTION

- CONNECTION CAN BE MADE FROM TOP OR REAR OF UNIT

