

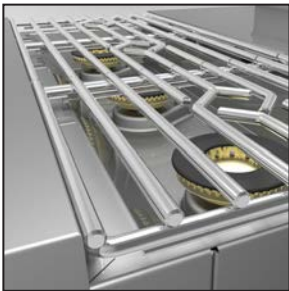
## STANDARD FEATURES



## SPLIT TOP

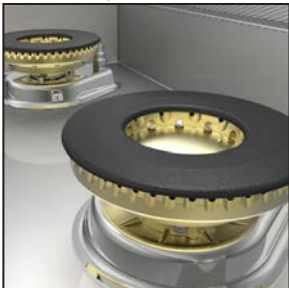
- ◆ High performance CircuFlame™ single flow burner systems in front
  - Single Ring at 25,000 Btu/hour for optimum cooking performance (*Patent Pending*)
  - Cast brass lift-off burner cap and base for easy cleaning
- ◆ Heavy duty 1 piece 3/8" thick steel (24" or 36" wide) hot top with cast iron lift-off burner in the back
- ◆ Brass standing pilot ignition at each front burner position with clog resistant design
- ◆ Stainless steel fully sealed burner bowl for easy cleaning

1/2" Diameter Rod Grates

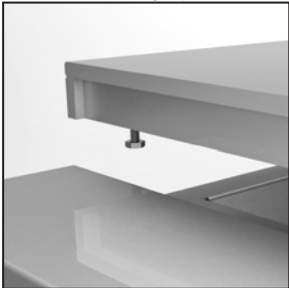


- ◆ Heavy gauge welded body construction
- ◆ Stainless steel, high polished, 1/2" diameter rod grates, (*Patented*) adjustable height for leveling
- ◆ 1-1/4" front gas manifold
- ◆ Water-tight SS burner bowl
- ◆ Available from 24" to 36" wide configurations
- ◆ Zamak die cast knobs and bezels with set screws (*Patented*)
- ◆ Stainless steel front, sides, 4.5" plate shelf, and bottom
- ◆ 9" tall Low FlueRiser

Single Flow Burner



Surface Leveling Adjustment

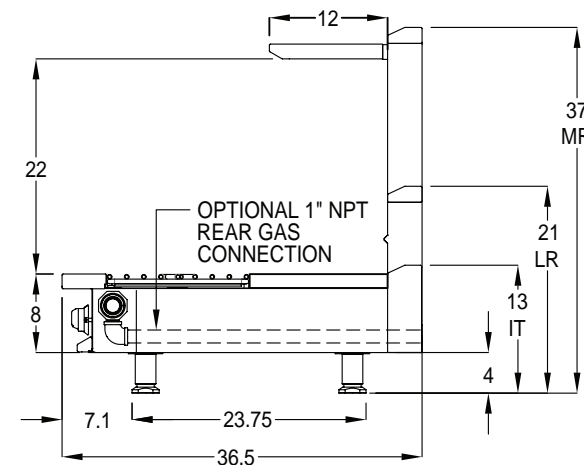
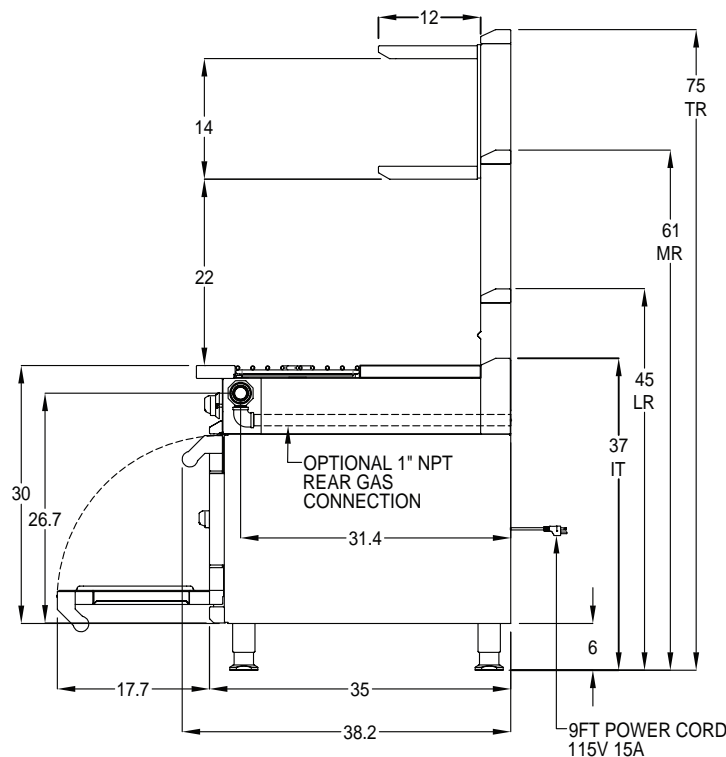
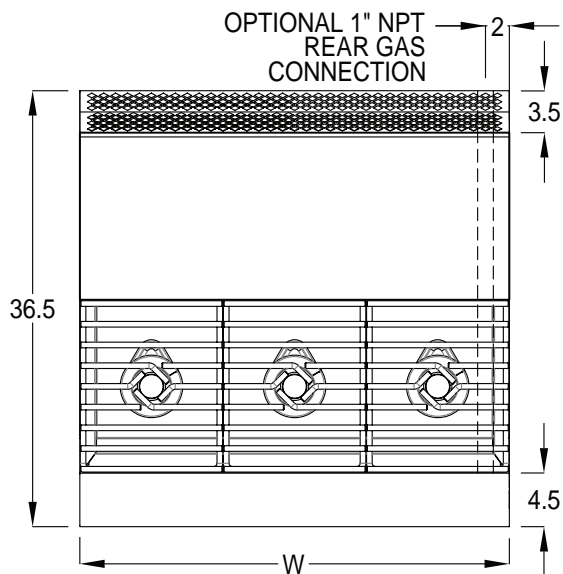


Model number as shown HST366



## OPTIONS

- ◆ Customizable Marquise accented™ valve panel (*Patented* / contact sales department for available options)
- ◆ Manifold caps and covers
- ◆ 1" rear gas supply connection
- ◆ Front manifold union connections
- ◆ Stainless steel back cover
- ◆ Common plate shelf up to 108" wide
- ◆ Extended plate shelf (6" or 8")
- ◆ Belly bar with 1" space or extended to accommodate 1/9 condiment pans
- ◆ 4" legs for countertop models
- ◆ Risers: Tall, Mid, or Island Trim
- ◆ Shelves: single or double, solid, tubular or mixed



Model	Description	Gas [Btu/HR]	Approx SHP WT	Width (W)
HST244	24" Width Split Top (2 Front, 2 Rear Burners)	100,000	188	24"
HST364	36" Width Split Top (2 Front, 2 Rear Burners)	100,000	220	36"
HST366	36" Width Split Top (3 Front, 3 Rear Burners)	150,000	260	36"

**ELECTRICAL** : No electrical requirements

**GAS** : 1-1/4" front manifold, capped or connectable to adjacent equipment. 1" male NPT rear gas connection available. Minimum gas supply is 7" water column for natural gas and 11" for propane. Operating pressure at the manifold is 5" water column for natural gas and 10" for propane. All units require a regulated gas supply.

**VENTILATION** : The product is required to be installed under an exhaust hood.

*Note: Hestan Commercial products are not approved or recommended for residential use. Hestan Commercial Corporation reserves the right to change materials and specifications without notice. Specify type of gas when ordering. Specify altitude when above 2,000 ft.*



**CONTACT US:** [www.hestancommercial.com](http://www.hestancommercial.com)

phone 888.905.7463

3375 E. La Palma Ave., Anaheim, CA 92806